

function elbow couplings

fixed orifice

Temperature:

-20°C to + 80°C

Bar:

0 - 15 bar

Tube:

4, 6 & 8 mm

(fixed) Orifice:

0.2 mm to 1.5 mm

Thread:

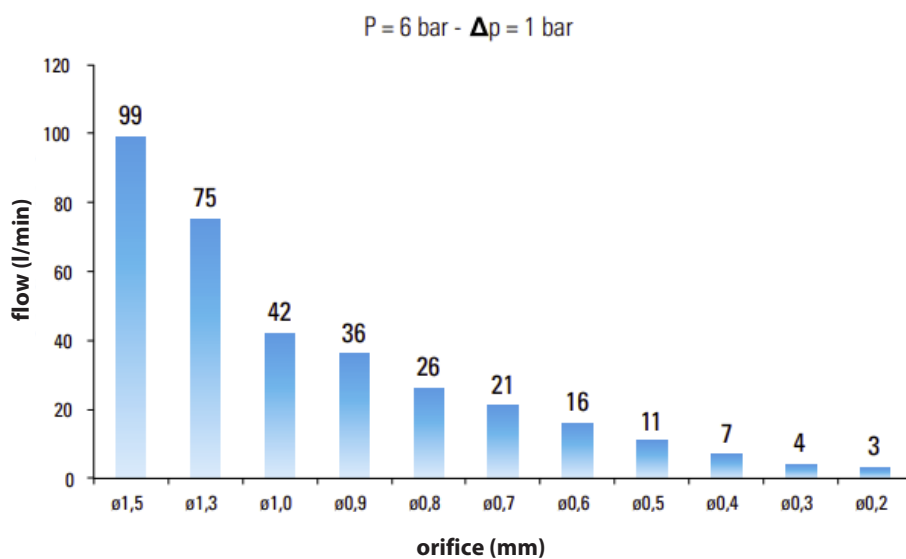
M5 x 0.8, G 1/8" & G 1/4"

Silicone free

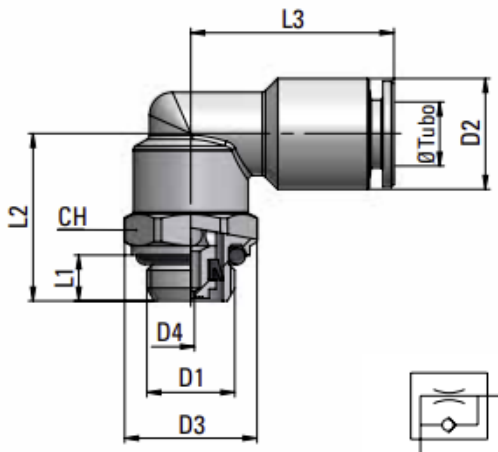



How to order

PLM	-	04	-	M5	-	FO	-	01
				G18				
		<i>Tube Ø</i>		<i>Thread</i>				<i>Orifice (example)</i>
		04 = 4mm		M5 = M5 x 0,8				02 = 0.2 mm
		06 = 6mm		G18 = G 1/8"				10 = 1 mm
		08 = 8mm		G14 = G 1/4"				15 = 1.5 mm



Dimensions



Type	Ø Tubo	D1	D2	D3	D4	L1	L2	L3	CH	g 
PLM04M5	4	M5x0,8	9,1	10	...	4	12,5	18,5	6	11,4
PLM0418	4	G1/8	9,1	14,5	...	5	18,2	19,5	13	18
PLM06M5	6	M5x0,8	12	10	...	4	12,5	21,5	6	13
PLM0618	6	G1/8	12	14,5	...	5	18,2	22	13	20
PLM0614	6	G1/4	12	16	...	6,5	22,7	22	13	24
PLM0818	8	G1/8	14	14,5	...	5	18	22,5	13	22
PLM0814	8	G1/4	14	16	...	6,5	22,5	22,5	13	26

Click here for dutch 