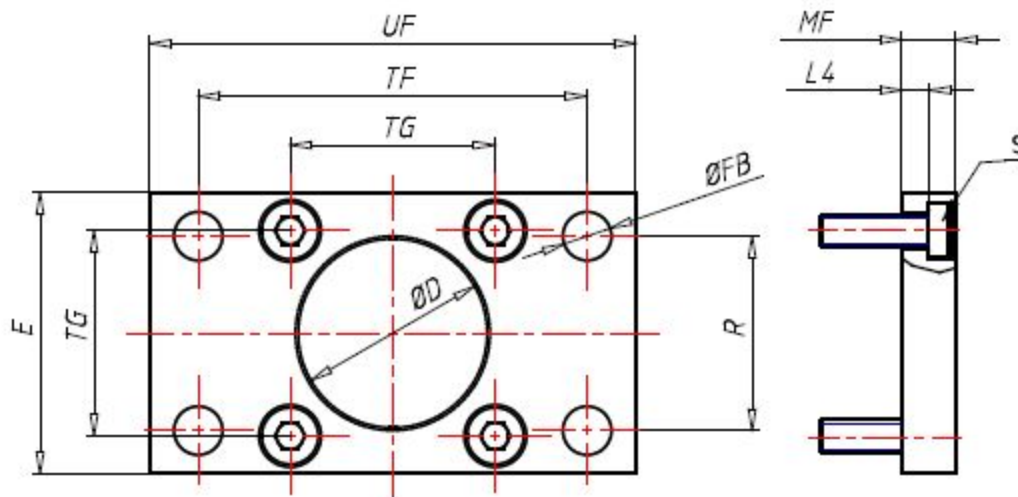


Technical drawings



MAT (Material)	Zinc coated steel
SUPPC (Supply conditions)	00 - Without screws
PCG (Packaging)	5 - single packaging
DI (Ø / mm)	32
TG (TG / mm)	32.5
D (ØD / mm)	30
FB (ØFB / mm)	10.5
R (R / mm)	32
TF (TF / mm)	64
L4 (L4 / mm)	5
S (S)	M6x20
UF (UF / mm)	80
E (E / mm)	45
MF (MF / mm)	10