

Encapsulated Coils

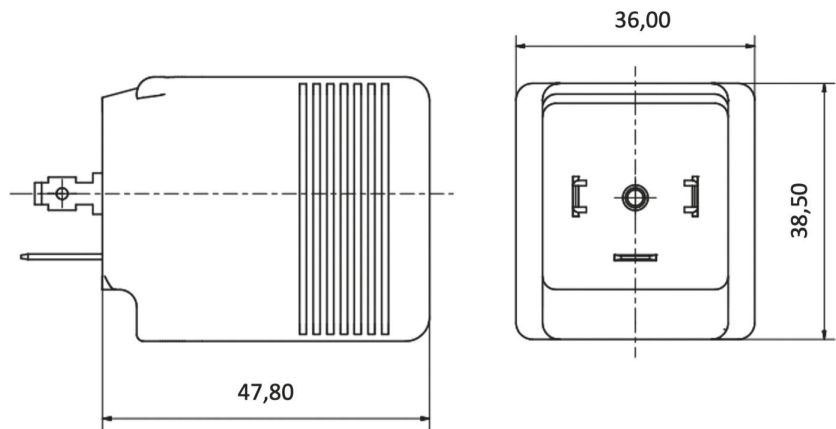
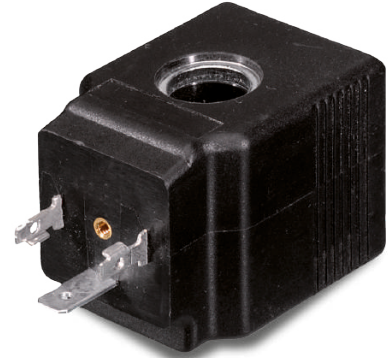
36 mm

DESCRIPTION

- Encapsulated coil
- Electrical connection according to DIN 43650 A (EN 175301-803 ISO 4400).

CONSTRUCTION

- Encapsulation:
 - Class F: Fiber-Glass reinforced Nylon
 - Class H: Fiber-Glass reinforced Polyester
- Magnetic circuit: Zinc-plated steel
- Windings: Class H insulated copper wires
- Ambient Temperature:
 - Class F: -10°C +55°C
 - Class H: -10°C +80°C



36mm Coil

PRODUCTCODE	Voltage - Frequency (V) - (Hz)	Power		Voltage Tolerances %	Service ED %	Note
		AC (VA)	DC (W)			
COIL361324AC	24V 50/60Hz	30		+15%	100%	Standard assembly
COIL3613230V	220/230V 50/60Hz			-10%		
COIL361324DC	24V DC		24	+/-10%	100%	