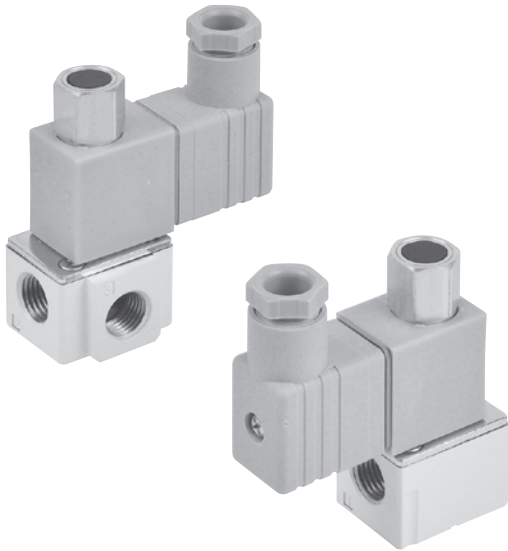


SVDO series

SOLENOID VALVE (DIRECT OPERATED TYPE)



Caution

- In the case of continuous energization, it is recommended to use NC/NO configuration in the design of the pneumatic circuit to avoid the temperature rise of continuous energization.
- For continuously energized situation, please contact us.

Specification

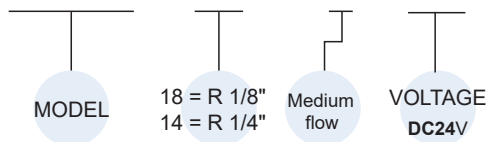
Model	SVDO	
Bore No.	18	14
Port size	Rc1/8	Rc1/4
No. of port	3	
No. of position	2	
Medium	Air, low vacuum	
Operating perssure range	-101 kPa ~ 1.0 MPa	
Proof pressure	1.5 MPa	
Effective orifice (mm ²)	P→A: 4.0	P→A: 4.1
	A→R: 4.4	A→R: 4.6
	R→A: 4.2	R→A: 4.2
	A→P: 3.9	A→P: 4.0
Reponse time (ms)	20	
Ambient temperature	-5~+50°C (No freezing)	
Voltage	DC24V	
Power consumption (W)	7	
Available voltage range	±10%	
Insulation class	F class	
Weight (g)	156 (188)*	153 (185)*

* () The value for with bracket.

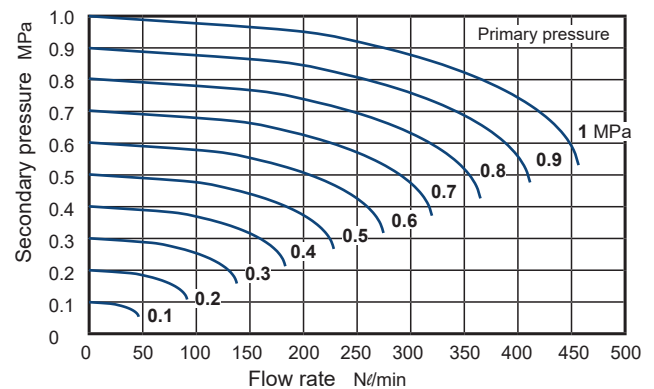
Order example of valve

SVDO3 — 18 — MF — 24

SVDO318MF24



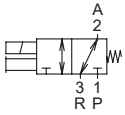
Flow features



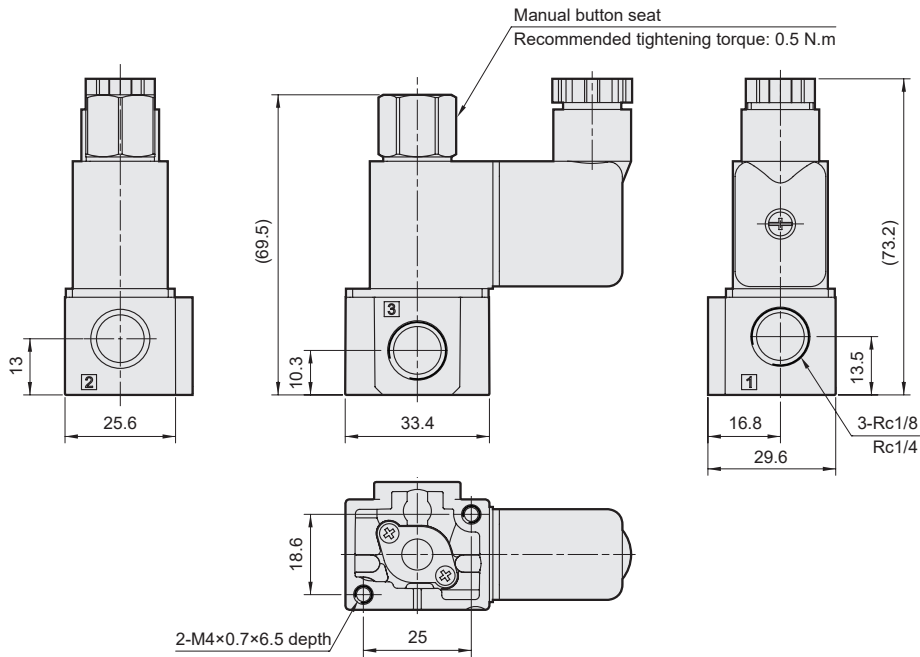
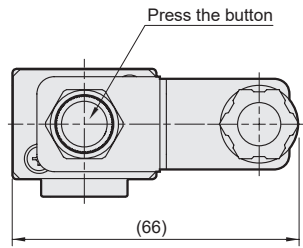
SVDO Dimensions / Mounting accessories

SOLENOID VALVE (DIRECT OPERATED TYPE)

SVDO



Port 1P: NC
Port 2A: COM
Port 3R: NO



Mounting accessories

