

Pneuparts - Blocking plates

For 3/2 & 5/2 valves

These blocking plates are suitable for the Pneuparts base plates

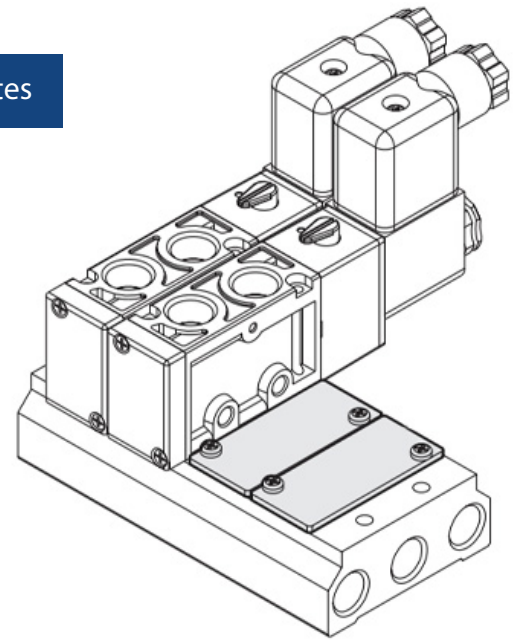
These blocking plates are suitable for the Pneuparts base plates for 3/2 and 5/2 valves.

Suitable for the size of the base plates:

G 1/4", G 3/8" & G 1/2".

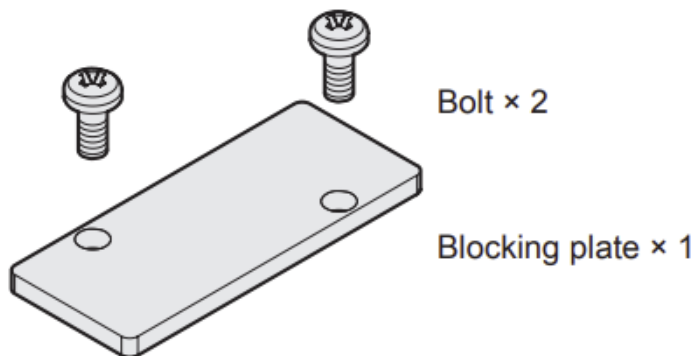
Suitable for:

- M3B Base plates
- M5B Base plates



Article code	For base plate	Suitable for	Function
BP1432	G 1/4"	M3B Base plate	3/2
BP1452	G 1/4"	M3B Base plate	5/2
BP3832	G 3/8"	M3B Base plate	3/2
BP3852	G 3/8"	M3B Base plate	5/2
BP1232	G 1/2"	M3B Base plate	3/2
BP1252	G 1/2"	M3B Base plate	5/2

Blocking plate parts



Which blocking plate you can use for which base plate

Function	Thread base plate	Suitable for base plate (base plate article code)
Function 3/2	G 1/4"	M3B141 - M3B143 - M3B144 - M3B145 - M3B146 - M3B147 - M3B148 - M3B149 - M3B1410
Function 3/2	G 3/8"	M3B382 - M3B383 - M3B384 - M3B385 - M3B386 - M3B387 - M3B388 - M3B389 - M3B3810
Function 3/2	G 1/2"	M3B122 - M3B123 - M3B124 - M3B125 - M3B126 - M3B127 - M3B128 - M3B129 - M3B1210
Function 5/2	G 1/4"	M5B142 - M5B143 - M5B144 - M5B145 - M5B146 - M5B147 - M5B148 - M5B149 - M5B1410
Function 5/2	G 3/8"	M5B382 - M5B383 - M5B384 - M5B385 - M5B386 - M5B387 - M5B388 - M5B389 - M5B3810
Function 5/2	G 1/2"	M5B122 - M5B123 - M5B124 - M5B125 - M5B126 - M5B127 - M5B128 - M5B129 - M5B1210