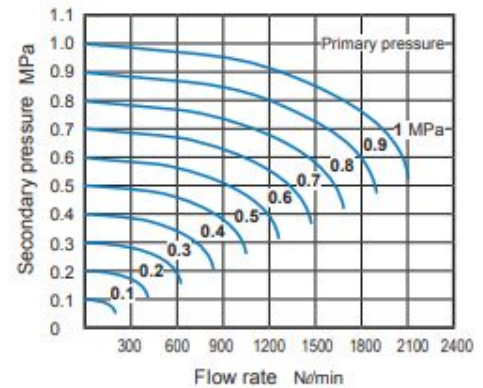




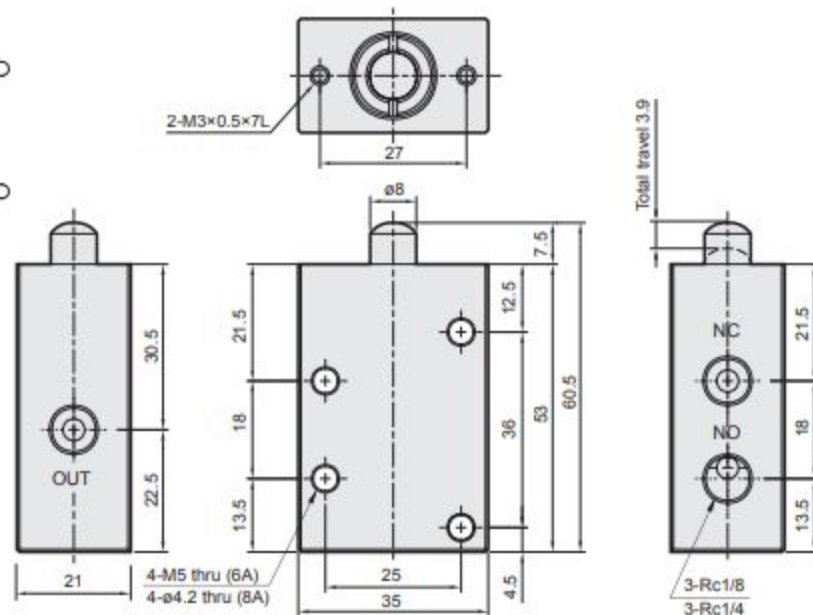
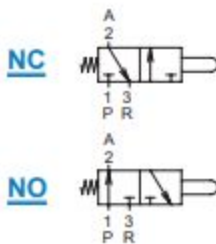
Specification

Bore No.	6A	8A
Part size	Rc1/8	Rc1/4
No. of port	3	
No. of position	2	
Medium	Air	
Operating pressure range	0~1 MPa	
Proof pressure	1 MPa	
Effective orifice	19 mm ²	
Ambient temperature	-5~+60°C (No freezing)	
Weight	155 g	

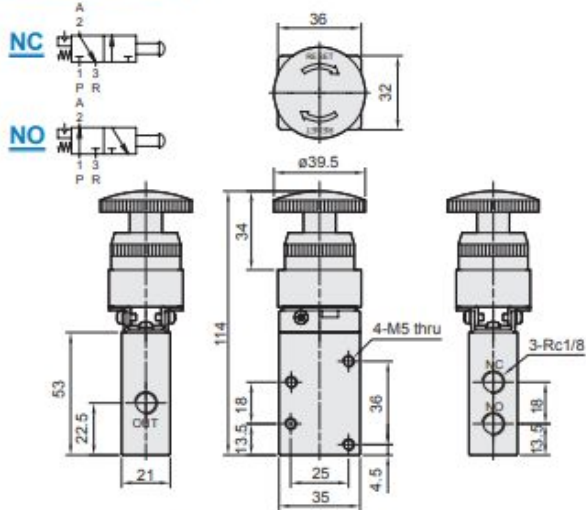
Flow features



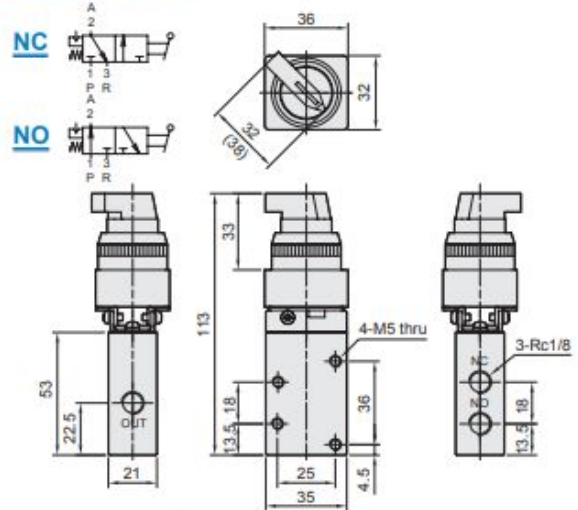
MV18



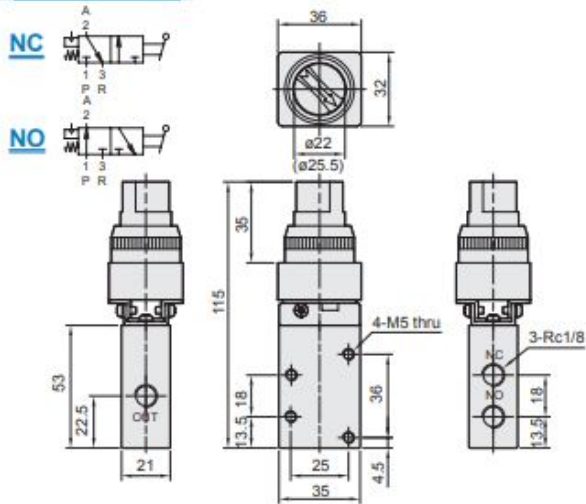
MV18EPB25



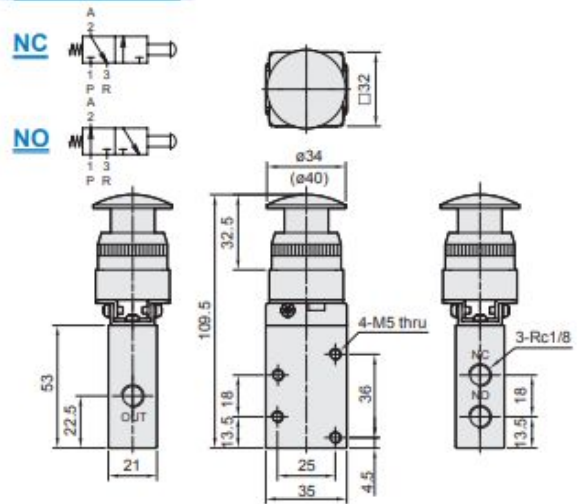
MV18ETB25



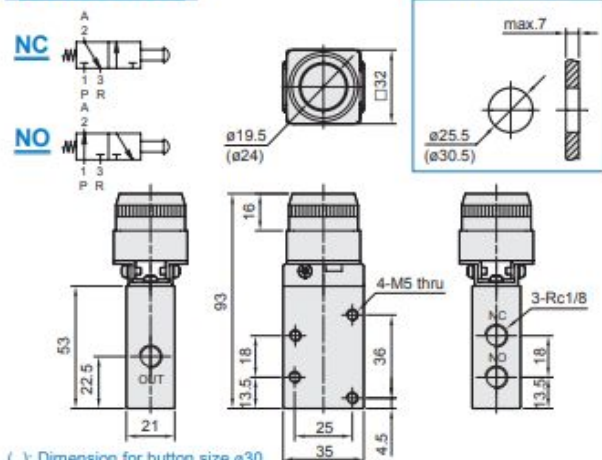
MV18TB25



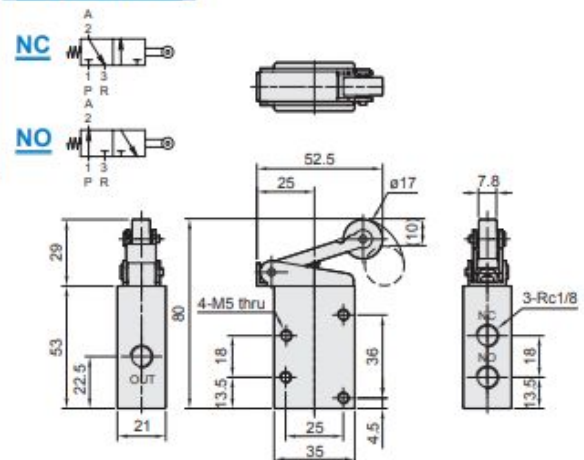
MV18MPB25



MV18PB25



MV18RL25



() : Dimension for button size ø30.