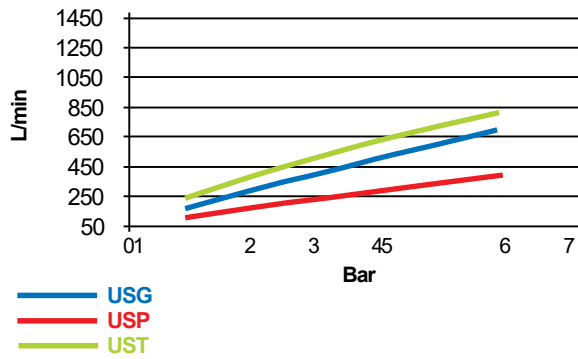
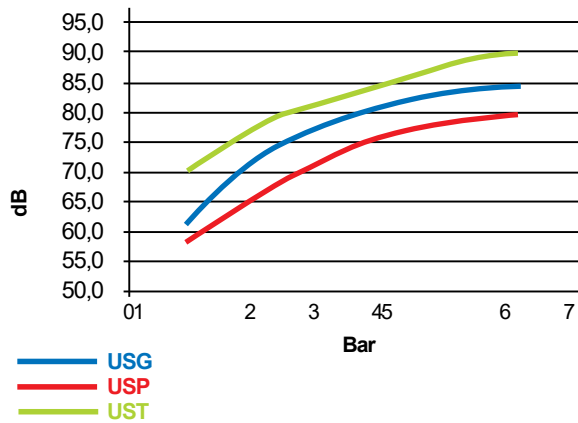


**AIR BLOWING  
NOZZLES**

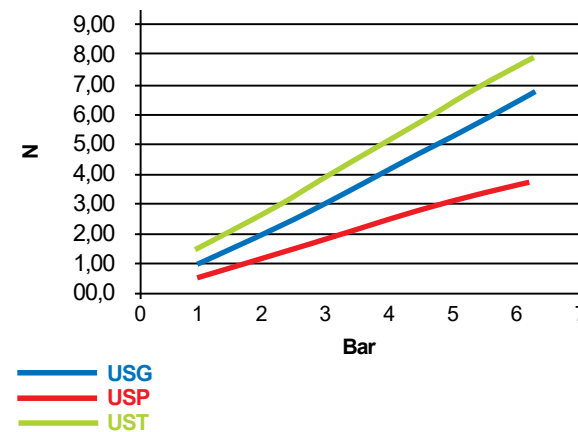
**Flow-rate chart**



**Noise Level**



**Blowing Force at 50 mm**



MADE IN ITALY

**Lower consumption, higher power and accuracy.**

Thanks to the careful designing of the mould, we can guarantee the accuracy of the calibrated holes, which enables a considerable decrease in the consumption of compressed air. At the same time, the air gets channelled better, thus increasing the power of the flow (this compared to the average data of similar products on the market):

The compact size of the flat nozzle enables a further decrease in the air consumption.

Thanks to the accuracy of its inner channels, the round nozzle offers a higher focused force, without having a high consumption of air.



**Technical features**

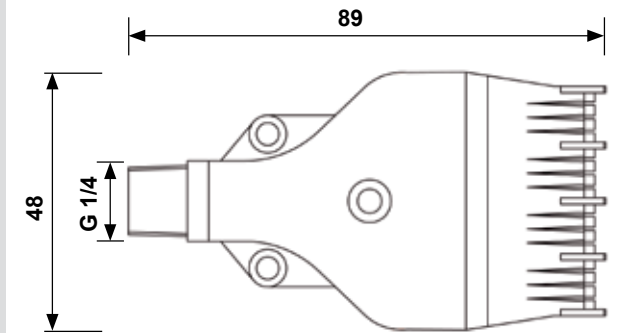
**Material:** TERLURAN® GP-22 NATURAL

**Working Temperature:** -40°+80°C

**Connection:** Male 1/4 Taper

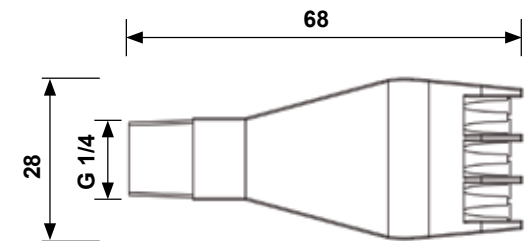


**ABNG48**



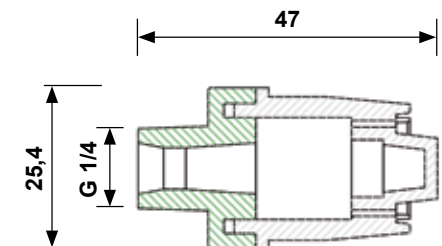
**Weight:** 16 gr **P. Max - 6 Bar**

**ABNP28**



**Weight:** 6 gr **P. Max - 8 Bar**

**ABNT25**



**Weight:** 10 gr **P. Max - 10 Bar**