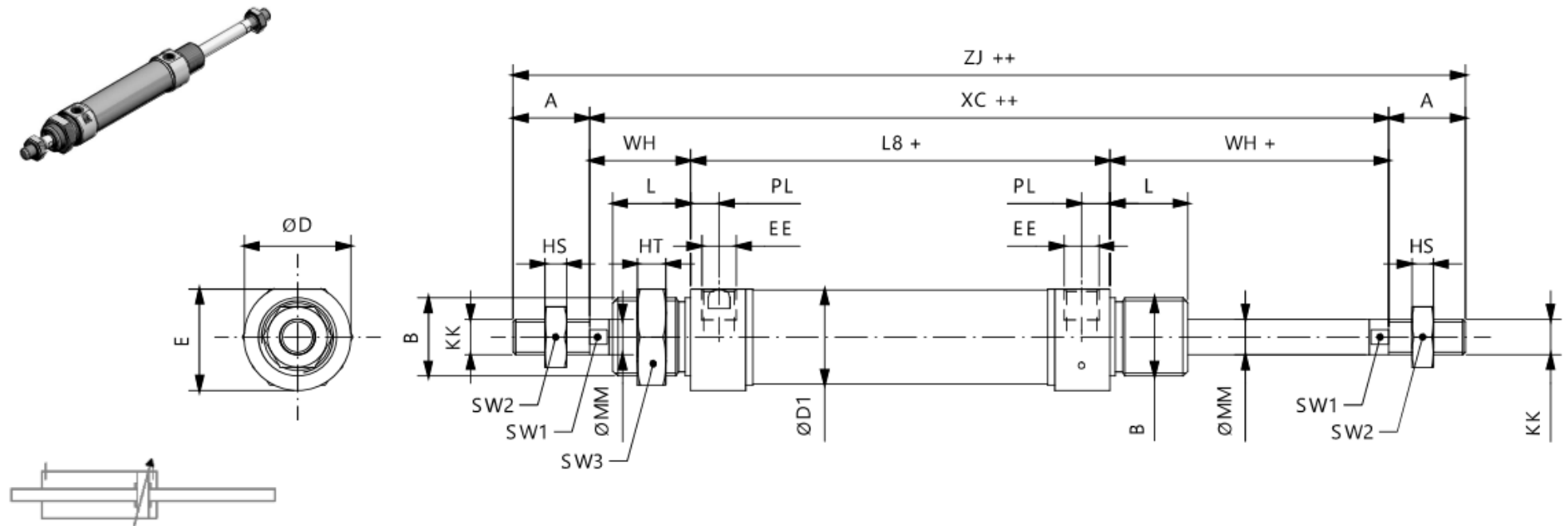


Round cylinder

Double acting - with continuous piston rod

ISO 6432



Ø	B	KK	SW1	A	WH	ØMM	L	HS	HT	SW2	SW3	PL	EE	ØD1	L8	XC	ZJ	ØD	E
16	M16x1.5	M6x1	5	16	22	6	18	4	5	10	22	5	M5	17,27	53	97	129	21	20
20	M22x1.5	M8x1.25	7	20	24	8	20	5	8	13	27	8	1/8 G	21,27	67	115	155	27	25,5
25	M22x1.5	M10x1.25	9	22	28	10	22	6	8	17	27	8	1/8 G	26,5	68	124	168	30	28,5

+ = stroke length

++ = stroke length x 2

Pneuparts.com

Florijn 10 b/c
5751 PC Deurne
Netherlands

+31 (0)493 763 99
info@pneuparts.com
www.pneuparts.com