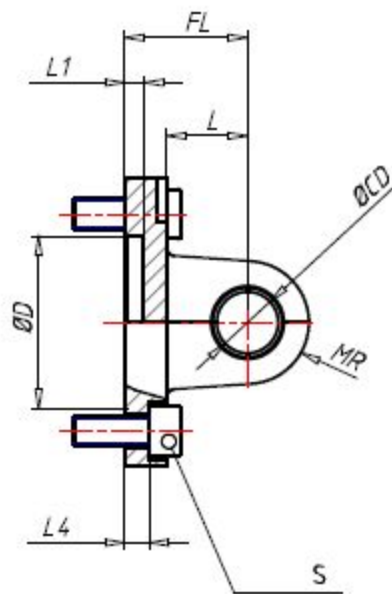
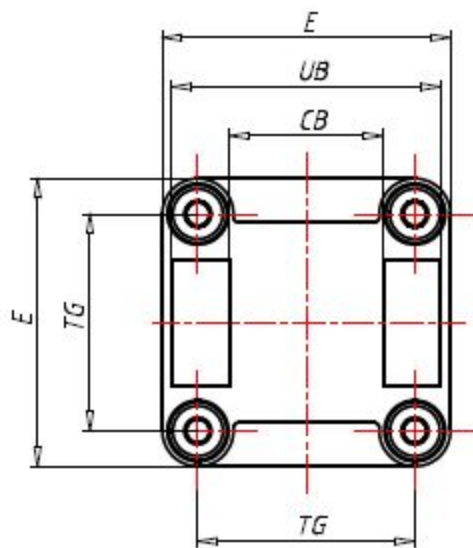


Technical drawings



SUPPC (Supply conditions)	00 - Without screws
PCG (Packaging)	s - single packaging
DI (Ø / mm)	125
TG (TG / mm)	110
CB (CB / mm)	70
UB (UB / mm)	130
CD (ØCD / mm)	25
FL (FL / mm)	50
L (L / mm)	30
D (ØD / mm)	60
L1 (L1 / mm)	7
L4 (L4 / mm)	10
S (S)	M12X25
MR (MR / mm)	25
E (E / mm)	140