

Pneumatic rollers

Vibratros rotating

Rotating vibrators, 6 bar

Materials:

Housing: anodized aluminium, ball and track: hardened steel, cover: stainless steel 1.4305

Temperature range:

max. +80°C

Operating pressure:

2 - 6 bar

Media:

oiled and unoled compressed air

Installation position:

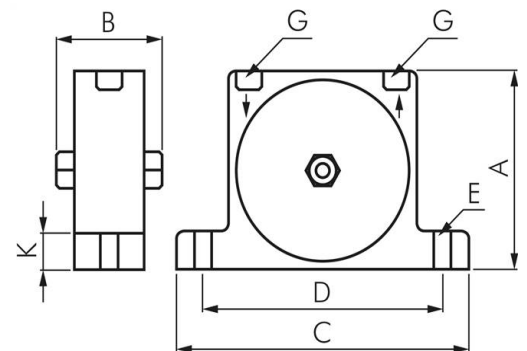
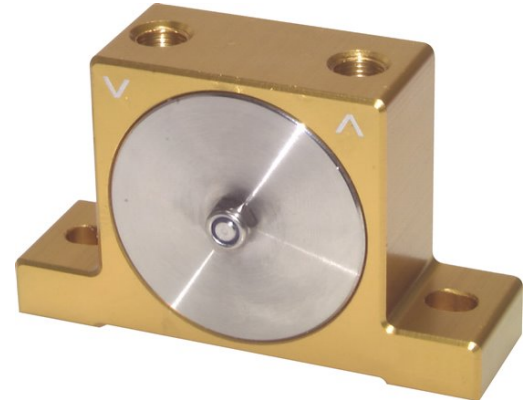
Standing (not lying on the covers)

Application:

Large forces with greater amplitudes

Advantages:

- No run-on,
- Maintenance free as low wearing,
- Simple construction,
- Low requirements in terms of compressed air quality,
- Common exhaust air ducting,
- ATEX compliant Ex II 3D 85° (T6)X (up to 40°C max.)



Article number	Force (N)	Frequency	Air consumption	A	B	C	D	E	G	K	Weight
RV1A	1.690 N	40.000	200 l/min.	55	36	90	68	7	G1/8"	12	0,36 kg
RV1B	2.910 N	38.000	250 l/min.	56	36	90	73	7	G1/8"	12	0,41 kg
RV2A	4.740 N	29.000	325 l/min.	80	49	128	104	9	G1/4"	16	0,85 kg
RV2B	7.850 N	26.000	550 l/min.	80	49	128	104	9	G1/4"	16	0,90 kg
RV3A	9.730 N	18.000	850 l/min.	110	63	170	140	11	G3/8"	20	2,43 kg