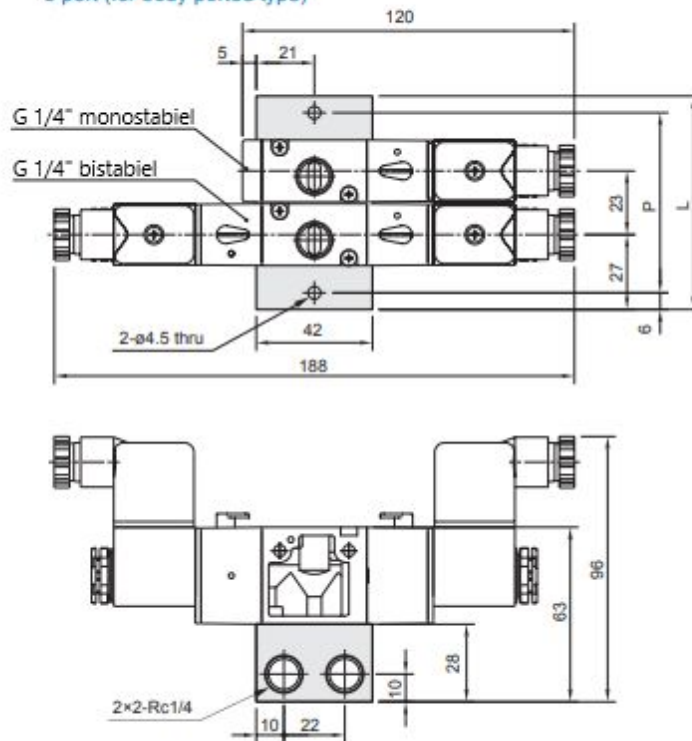


Manifold of solenoid valve

G 1/4" basisplaat, 3 poort

3 port (for body ported type)

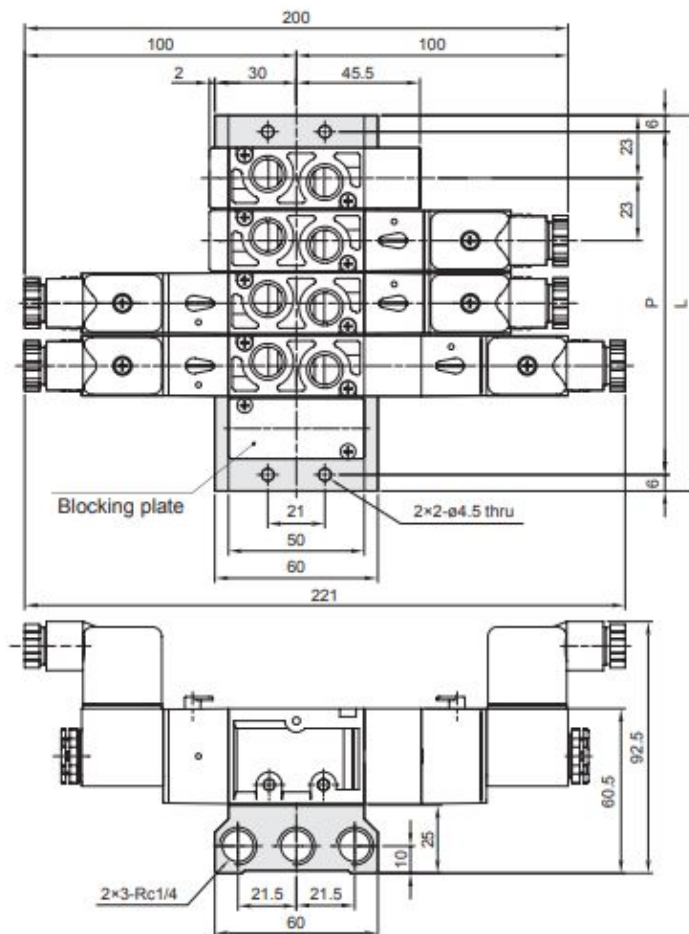


No. of stations	P	L
2	65	77
3	88	100
4	111	123
5	134	146
6	157	169
7	180	192
8	203	215
9	226	238
10	249	261

G 1/4" basisplaat, 5 poort

5 port (for body ported type)

No. of stations	P	L
2	57	69
3	80	92
4	103	115
5	126	138
6	149	161
7	172	184
8	195	207
9	218	230
10	241	253

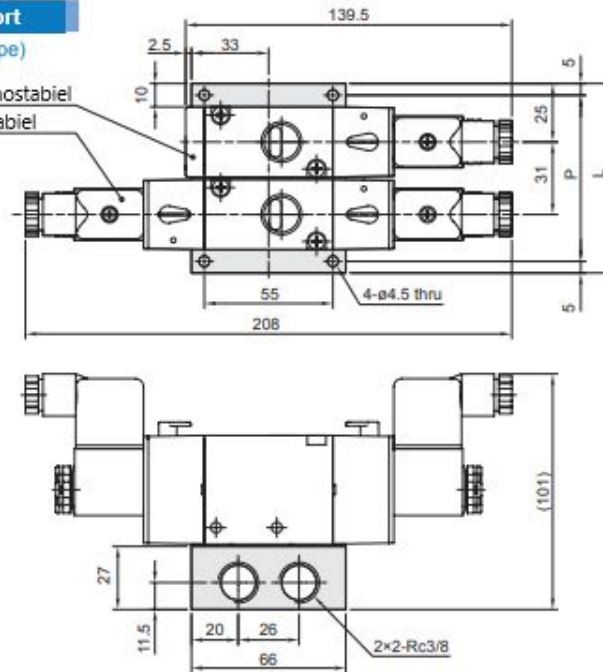


Manifold of solenoid valve

G 3/8" basisplaat, 3 poort

3 port (for body ported type)

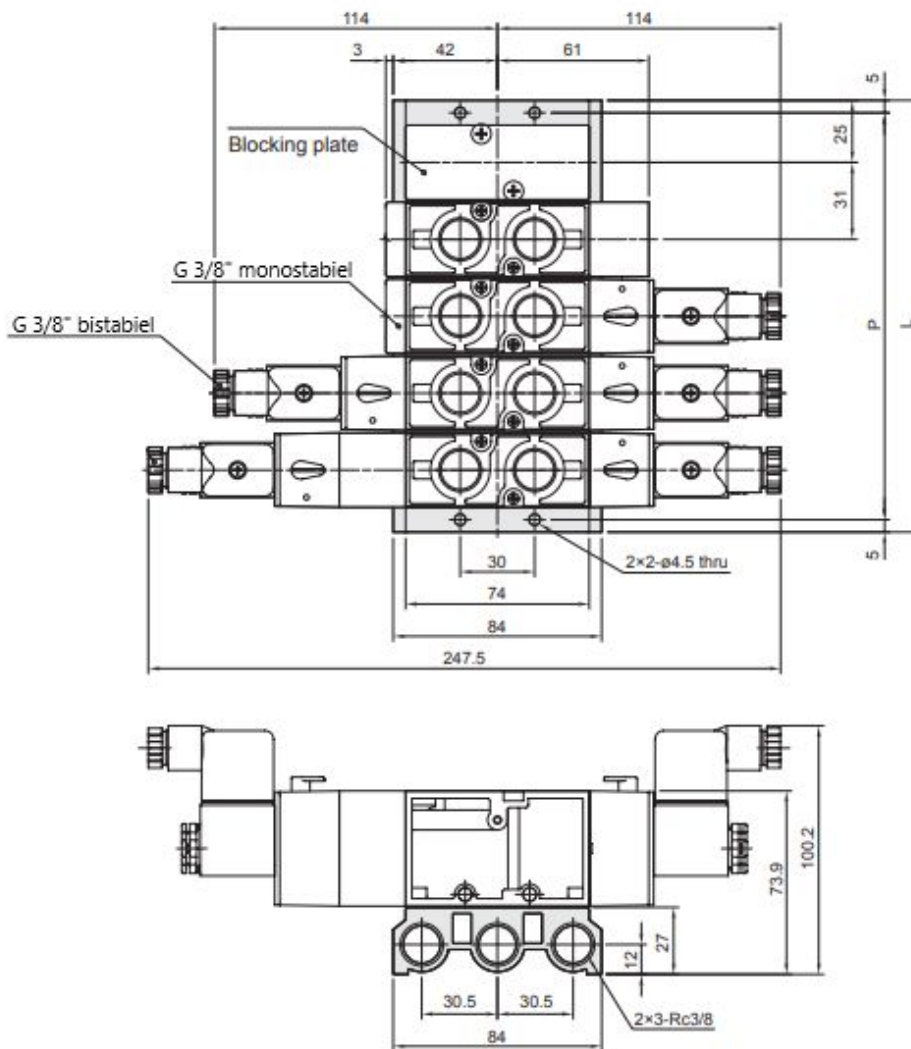
G 3/8" monostabiel
G 3/8" bistabiel



No. of stations	P	L
2	71	81
3	102	112
4	133	143
5	164	174
6	195	205
7	226	236
8	257	267
9	288	298
10	319	329

G 3/8" basisplaat, 5 poort

5 port (for body ported type)

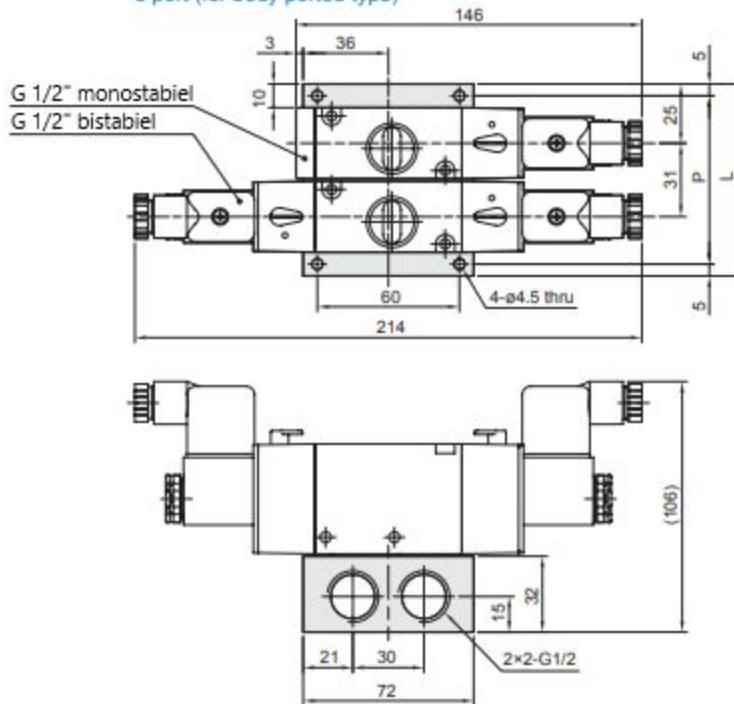


No. of stations	P	L
2	71	81
3	102	112
4	133	143
5	164	174
6	195	205
7	226	236
8	257	267
9	288	298
10	319	329

Manifold of solenoid valve

G 1/2" basisplaat, 3 poort

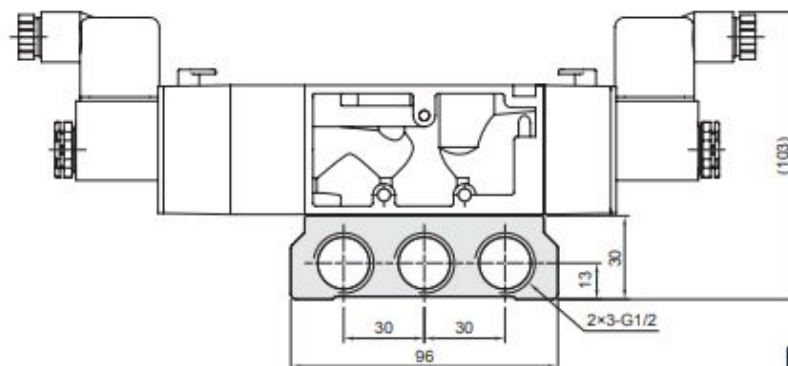
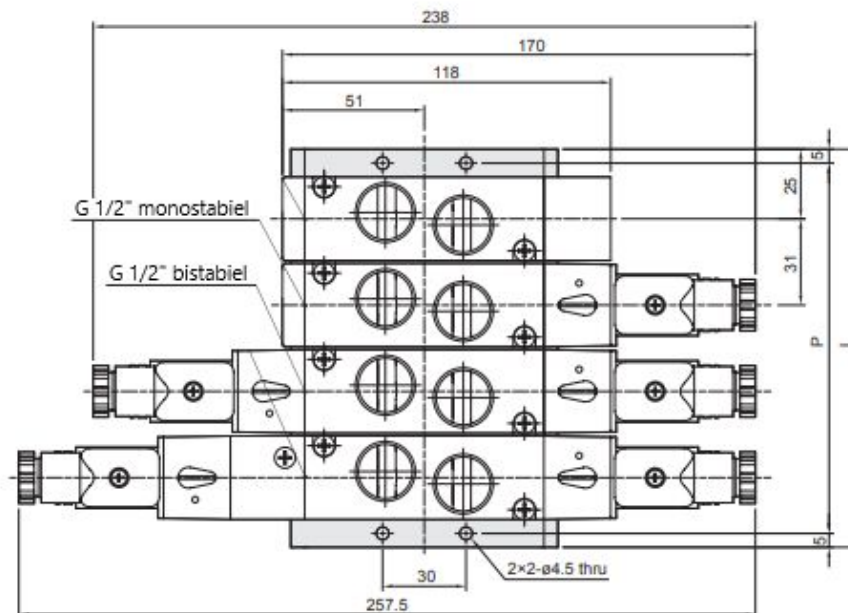
3 port (for body ported type)



No. of stations	P	L
2	71	81
3	102	112
4	133	143
5	164	174
6	195	205
7	226	236
8	257	267
9	288	298
10	319	329

G 1/2" basisplaat, 5 poort

5 port (for body ported type)



No. of stations	P	L
2	71	81
3	102	112
4	133	143
5	164	174
6	195	205
7	226	236
8	257	267
9	288	298
10	319	329