

# Pneuparts - ball valve

Chrome-nickel-molybdenum stainless steel 1.4401(EN10088).

Pneuparts system pipe/pipe is suitable for closed installations in which corrosion is not an issue. For applications, such as compressed air, these system pipes come in a stainless steel (RVS) version.

Safe and durable connections are the most important goal in during installation of a compressed air system. In addition, quick and easy assembly is important for the installer.

**Reliable:** By pressing the press fitting and pipe, the required mechanical strength is achieved. Permanent hydraulic tightness is obtained through the springy action of the O-ring.

## Material:

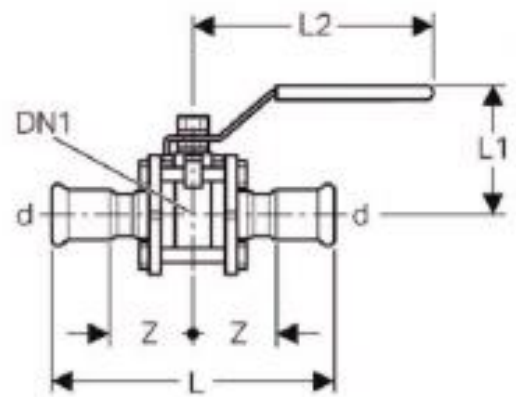
Chrome-nickel-molybdenum stainless steel 1.4401(EN10088).

## Diameter (D) mm:

15 - 108

## Orifice (DN) mm:

15 - 100



| ARTICLE NR. | Diameter (D) | Doorlaat (DN) | Length (L) | Length (L1) | Length (L2) |
|-------------|--------------|---------------|------------|-------------|-------------|
| MABV15RVS   | 15           | 15            | 77         | 44          | 85          |
| MABV22RVS   | 22           | 20            | 89         | 52          | 106         |
| MABV28RVS   | 28           | 25            | 96         | 56          | 106         |
| MABV35RVS   | 35           | 32            | 109        | 61          | 106         |
| MABV42RVS   | 42           | 40            | 141        | 79          | 155         |
| MABV54RVS   | 54           | 50            | 157        | 94          | 175         |
| MABV76RVS   | 76.1         | 76.1          | 301        | 135         | 220         |
| MABV88RVS   | 88.9         | 80            | 340        | 145         | 350         |
| MABV108RVS  | 108          | 100           | 418        | 175         | 450         |

[Pneuparts.com](http://Pneuparts.com)

Florijn 10 b/c  
5751 PC Deurne  
Nederland

Phone: +31 (0)493 763 993

[info@pneuparts.com](mailto:info@pneuparts.com)

[www.pneuparts.com](http://www.pneuparts.com)