

316L Stainless Steel Function Fittings

Stainless steel 316

With and without check valve

TECHNICAL FEATURES

MATERIALS:

Stainless steel 316

TEMPERATURE RANGE:

-20°C to +150°C

OPERATING PRESSURE:

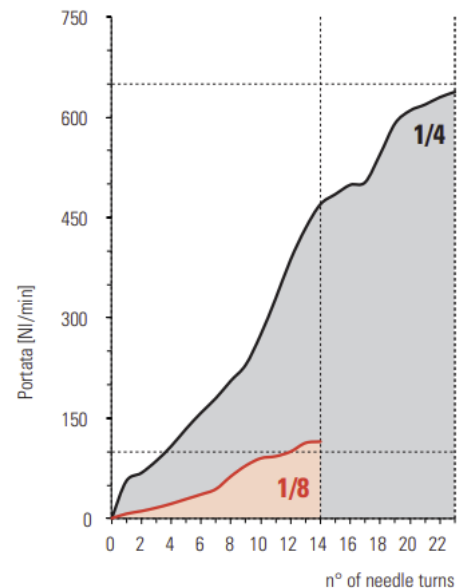
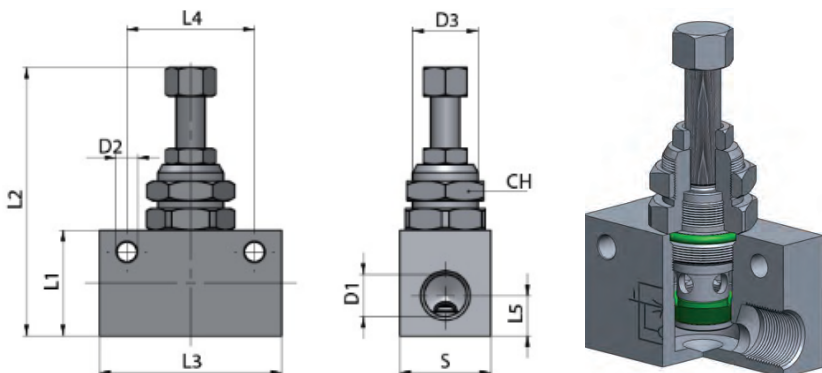
0 to 10 bar



SPECIFICATIONS

ARTICLE NUMBER	D1	D2	D3	L1	L2	L3	L4	CH	CONTROL VALVE
PFC18CVSS	G 1/8"	4.5	M12x0,75	21	49.3	34	24	15	With
PFC14CVSS	G 1/4"	6.5	M18x1,5	30	75.2	50	35	22	With
PFC18CVSSB	G 1/8"	4.5	M12x0,75	21	49.3	34	24	15	Without
PFC14CVSSB	G 1/4"	6.5	M18x1,5	30	75.2	50	35	22	Without

DRAWING AND DIMENSIONS



Pneuparts.com
Florijn 10 b/c
5751 PC Deurne
The Netherlands

Phone: +31 (0)493 763 993

info@pneuparts.com
www.pneuparts.com