

Turbines vibrators

Vibrators rotating

Rotating vibrators, 6 bar

Materials:

Housing: anodized aluminium, ball and track: hardened steel, cover: stainless steel 1.4305

Temperature range:

max. +70°C

Operating pressure:

2 - 6 bar

Media:

Unoiled compressed air

Installation position:

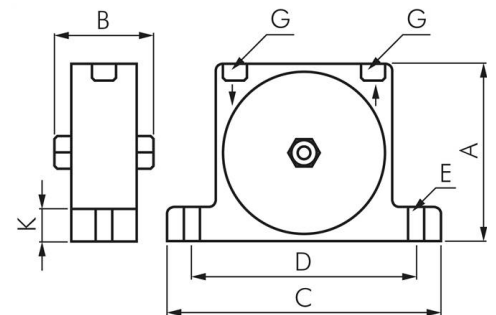
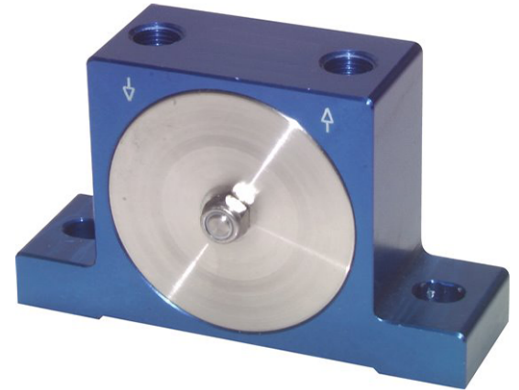
Arbitrary

Application:

larger spectrum of vibrations (adjustable via pressure and volume flow)

Advantages:

- low noise (70 dB (A)),
- maintenance free as very low wearing,
- common exhaust air ducting



Article number	Force (N)	Frequency	Air consumption	A	B	C	D	E	G	K	Weight
TV1A	1.440 N	42.000	200 l/min.	55	37	90	68	7	G1/8"	12	0,31 kg
TV1B	1.650 N	40.000	105 l/min.	55	37	90	68	7	G1/8"	12	0,31 kg
TV2A	3.630 N	24.000	180 l/min.	80	49	128	104	9	G1/4"	16	0,75 kg
TV2B	4.180 N	18.500	225 l/min.	80	49	128	104	9	G1/4"	16	0,77 kg
TV3A	8.610 N	8.000	350 l/min.	110	63	170	130	11	G3/8"	20	2,00 kg
TV3B	10.000 N	7.000	500 l/min.	140	80	200	170	11	G3/8"	24	2,13 kg