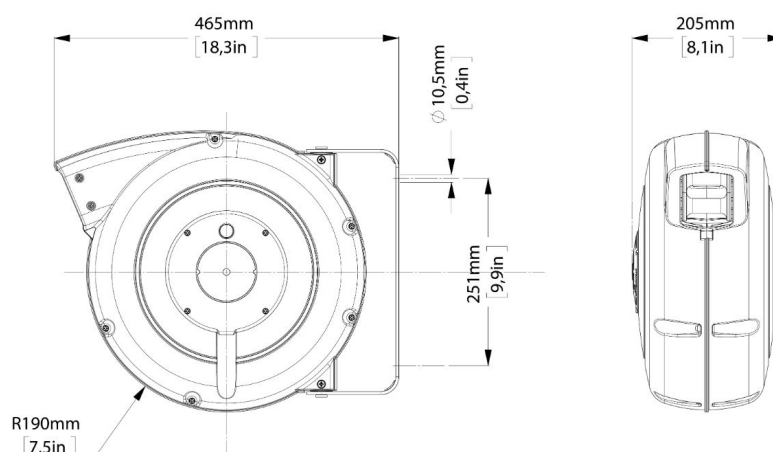


## Zeca Flex

Article nr:

**Yellow:** ZARFL1610

**Blue:** ZARFL1610BL



### NEW!

Zeca air/water reel with 16 meter 3/8 FLEX hose up to 15 bar

Due to the ultra flexible, anti-static hose, this reel is very suitable for use in spray shops.

### Features

<b>Brand</b>	Zeca
<b>Hose</b>	Yes
<b>Medium</b>	Air, Water
<b>Hose length</b>	16
<b>Diameter hose</b>	3/8"
<b>Max. work pressure</b>	15 bar
<b>Operated</b>	Spring operated
<b>Material</b>	Plastic
<b>Assembly</b>	Swivel
<b>Output</b>	3/8" M
<b>Hose</b>	Extra flexible
<b>Max. working temperature</b>	60°C
<b>Safety brake</b>	Optional

### Accessoires

**Zeca Safety Return**

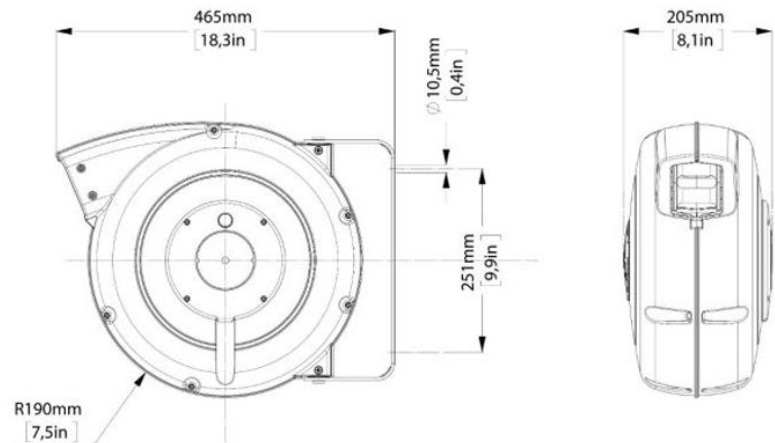
ZECSAFETYRETURN

## Zeca Flex

Article nr:

**Yellow:** ZARFL1608

**Blue:** ZARFL1608BL



### NEW!

Zeca air/water reel with 16 meter 3/8 FLEX hose up to 15 bar

Due to the ultra flexible, anti-static hose, this reel is very suitable for use in spray shops.

### Features

Brand	Zeca
Hose	Yes
Medium	Air, Water
Hose length	16
Diameter hose	5/16"
Max. work pressure	15 bar
Operated	Spring operated
Material	Plastic
Assembly	Swivel
Output	1/4" M
Hose	Extra flexible
Max. werktemperatuur	60°C
Veiligheidsrem	Optional

### Accessoires

**Zeca Safety Return**

ZECSAFETYRETURN